

Product // BOMBA RAW STEEL

Details // For additional info please write to glue@fugitive-glue.com

- Dimensions: $\varnothing 300\text{mm}$ x H. 292mm / $\varnothing 12''$ x H. 11.5"
- Weight : 8.2 kg / 18 lbs each
- Lamp cord & Aircraft cable length: 200 cm / 78.75"
- Machined Aluminum connector: $\varnothing 25\text{mm}$ x 63mm / $\varnothing 1''$ x 2.5"
- Vinyl trim (special trim colours available with minimum quantity of 50)
- Lamp socket: Glazed Porcelain max 660 W - 250 volts
- Lead time: 2-3 weeks (depending on stock)

Options // *Please inquire. Price will vary depending on selection.

01.Exterior Finish

- < > Sand blasted raw steel Standard
- < > Clear coat Standard
- < > Custom colour * \$ __. __

02.Interior Finish

- < > Hand painted white Standard
- < > Custom Colour * \$ __. __

03.Cord type

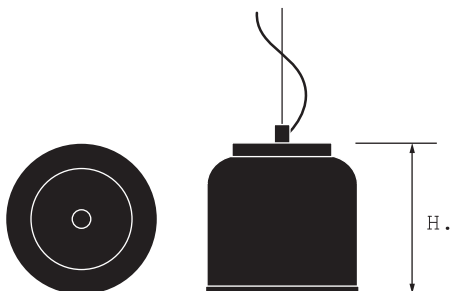
- < > Black vinyl Standard
- < > White vinyl Standard
- < > Colour cotton * \$ __. __
- < > Extra length * \$ __. __

04.Trim type

- < > Black vinyl Standard
- < > White vinyl Standard
- < > Colour * \$ __. __

05.Mounting hardware

- < > Galvanized Cable + Crimp Standard
- < > Direct to junction box + \$30.00
- < > Ceiling mount + \$30.00



FUGITIVE GLUE

163 Sterling Rd. Studio N^o 128
Toronto, Ontario, CANADA M6R-2B2

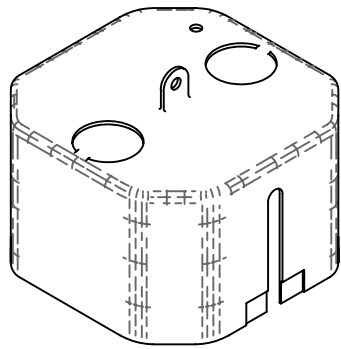
Product // BOMBA RAW STEEL - Black vinyl trim and cord



DIRECT TO JUNCTION BOX

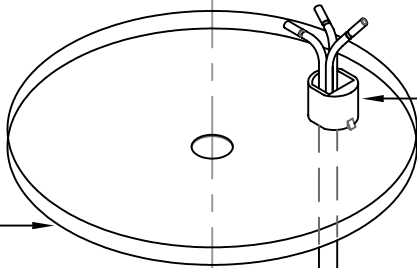
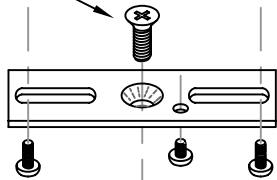
FUGITIVE GLUE

163 Sterling Rd. Studio No 128
Toronto, Ontario, CANADA M6R-2B2



JUNCTION BOX

1/4"-20 X 3/4" L
PHILIPS FLAT
HEAD SCREW



5" CANOPY

STRAIN RELIEF
BUSHING

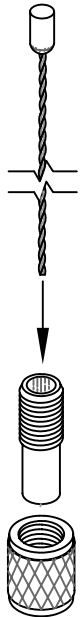
POWER
CORD

TWO PIECE
CABLE COUPLER

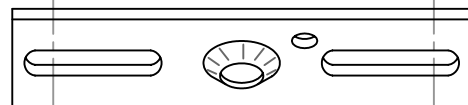
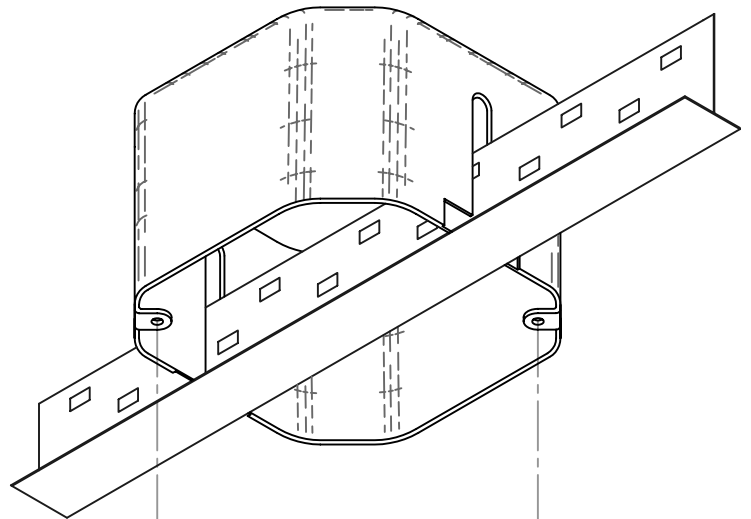
①

CRIMP

①



②



COPYRIGHT (C) BY PENDANT SYSTEMS, ALL RIGHTS RESERVED.
THIS DOCUMENT CONTAINS CONFIDENTIAL AND PROPRIETARY
INFORMATION OF PENDANT SYSTEMS. THE USE OR DISTRIBUTION OF
THIS INFORMATION WITHOUT THE EXPRESS WRITTEN CONSENT OF
PENDANT SYSTEMS IS STRICTLY PROHIBITED.

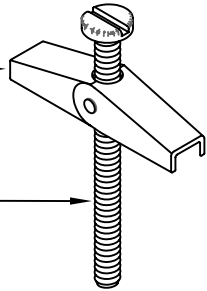
CEILING MOUNT

FUGITIVE GLUE

163 Sterling Rd. Studio No 128
Toronto, Ontario, CANADA M6R-2B2

NOTE:
SHEETROCK INSTALLATION IS NOT ADVISED FOR ALL LIGHTS. WE RECOMMEND INSTALLATION BE PERFORMED BY A LICENSED CONTRACTOR

1/4"- 20 TOGGLE BUTTERFLY

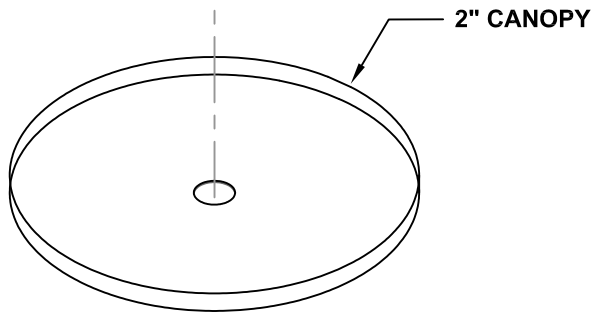


OR

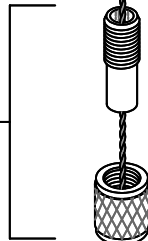


HANGER BOLT

1/4"- 20 X 3" SLOTTED BOLT



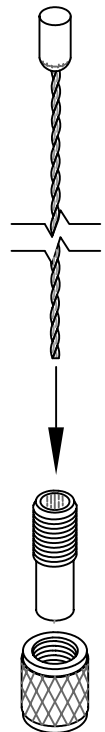
TWO PIECE CABLE COUPLER



CRIMP



1

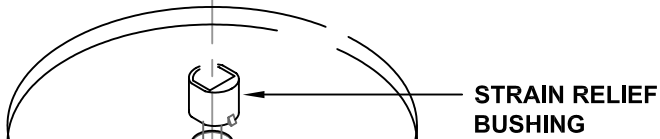
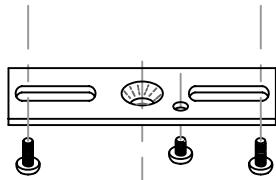
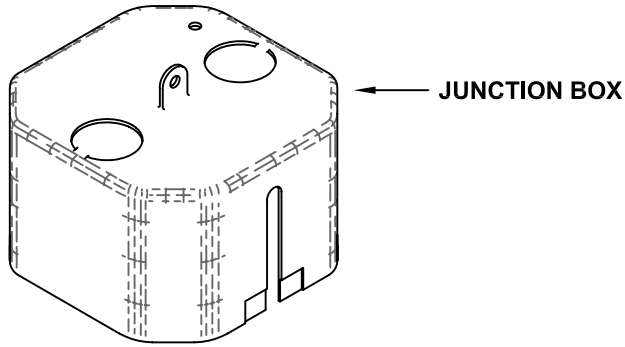


COPYRIGHT (C) BY PENDANT SYSTEMS, ALL RIGHTS RESERVED.
THIS DOCUMENT CONTAINS CONFIDENTIAL AND PROPRIETARY
INFORMATION OF PENDANT SYSTEMS. THE USE OR DISTRIBUTION OF
THIS INFORMATION WITHOUT THE EXPRESS WRITTEN CONSENT OF
PENDANT SYSTEMS IS STRICTLY PROHIBITED.

CEILING MOUNT

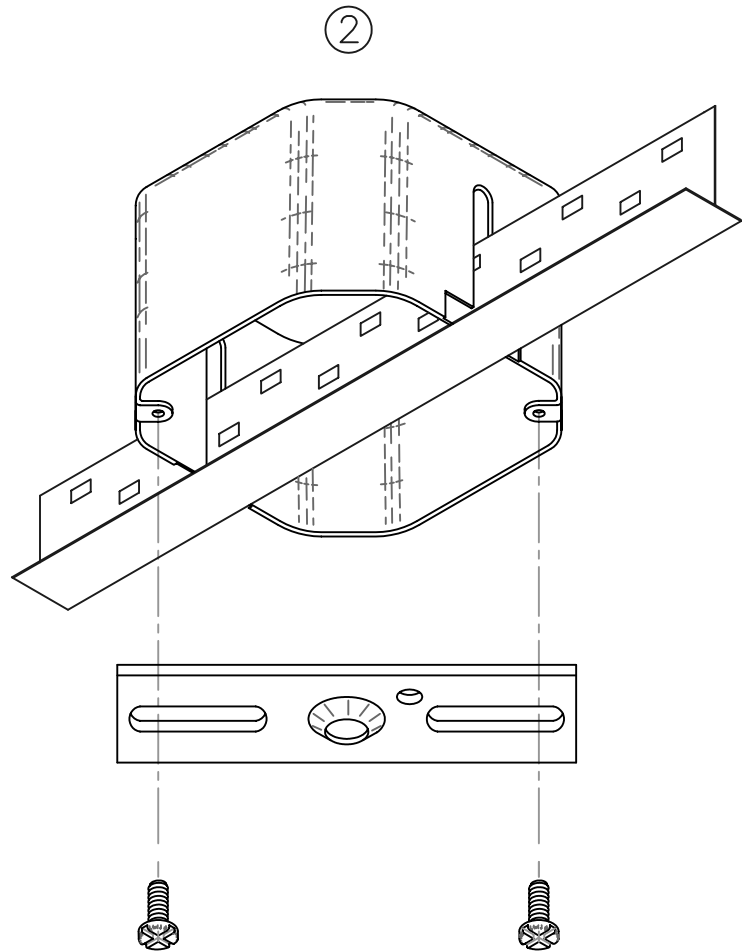
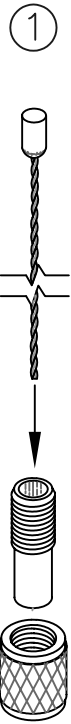
FUGITIVE GLUE

163 Sterling Rd. Studio No 128
Toronto, Ontario, CANADA M6R-2B2



5" CANOPY

POWER CORD



COPYRIGHT (C) BY PENDANT SYSTEMS, ALL RIGHTS RESERVED.
THIS DOCUMENT CONTAINS CONFIDENTIAL AND PROPRIETARY
INFORMATION OF PENDANT SYSTEMS. THE USE OR DISTRIBUTION OF
THIS INFORMATION WITHOUT THE EXPRESS WRITTEN CONSENT OF
PENDANT SYSTEMS IS STRICTLY PROHIBITED.